

SANYO	No.1261E	LB1630
	Low-Saturation Bidirectional Motor Driver for Low-Voltage Applications	

The LB1630 is a low-saturation bidirectional motor driver IC for use in low-voltage applications. It is especially suited for use in small-sized low-voltage motors for printers, cassette tape recorders, and consumer equipment.

Features

- . Capable of operating from a low voltage (2.5V min). Low current dissipation at the standby mode ($I_{CC} \leq 30\mu A$)
- . Low-saturation voltage (upper transistor + lower transistor residual voltage 1.2V max at 400mA)
- . On-chip spark killer diodes

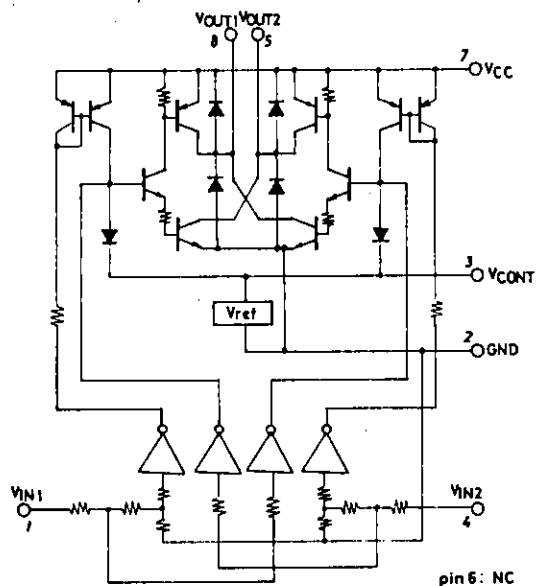
Absolute Maximum Ratings at Ta=25°C

				unit
Maximum Supply Voltage	V_{CCmax}	-0.3 to +7.0		V
Output Supply Voltage	V_{OUT}	-0.3 to $V_{CC}+V_F$		V
Input Supply Voltage	V_{IN}	-0.3 to +7.0		V
Allowable Load Resistance	R_{Mmin}	Pulse width<50ms Duty 10%	3	ohm
GND Pin Flow-out Current	I_{GND}	Pulse width<50ms Duty 10%	2	A
Allowable Power Dissipation	P_{dmax}		785	mW
Operating Temperature	T_{opr}		-20 to +75	°C
Storage Temperature	T_{stg}		-40 to +125	°C

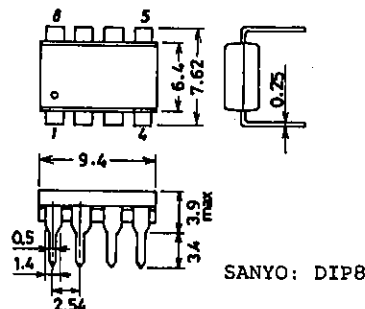
Allowable Operating Conditions at Ta=25°C

			unit
Supply Voltage	V_{CC}	2.5 to 6.0	V
Input "H"-Level Voltage	V_{IH}	2.0 to 6.0	V
Input "L"-Level Voltage	V_{IL}	-0.3 to +0.7	V

Equivalent Circuit



Package Dimensions 3001B
unit: mm



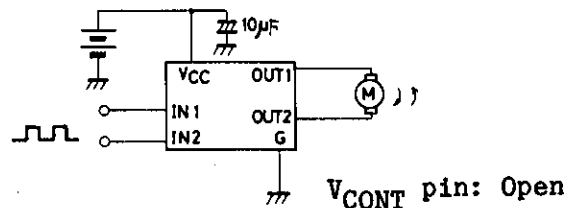
LB1630

Electrical Characteristics at Ta=25°C				min	typ	max	unit
Output Saturation Voltage (upper side + lower side)	V _{OUT(1)}	V _{CC} =3V, V _{IN} =3V, I _{OUT} =200mA		0.6			V
	V _{OUT(2)}	V _{CC} =3.5V, V _{IN} =3V, I _{OUT} =400mA		1.2			V
Output Sustain Voltage	V _{O(sus)}	I _{OUT} =400mA	9				V
Output Leakage Current	I _{O(leak)}	V _{CC} =6V				30	µA
Input Current	I _{IN}	V _{IN} =6V				1.0	mA
Spark Killer Diode							
Reverse Current	I _{S(leak)}	V _{CC} =6V, V _{IN} =0V				30	µA
Forward Voltage	V _{SF}	I _{OUT} =500mA				1.7	V
Current Dissipation	I _{CC}	I _{CC} =3.5V, V _{IN} =3V, I _{OUT} =400mA				430	mA

Truth Table

IN1	IN2	OUT1	OUT2	MOTOR
H	L	H	L	Forward
L	H	L	H	Reverse
H	H	off	off	Standby
L	L	off	off	Standby

Sample Application Circuit



- No products described or contained herein are intended for use in surgical implants, life-support systems, aerospace equipment, nuclear power control systems, vehicles, disaster/crime-prevention equipment and the like, the failure of which may directly or indirectly cause injury, death or property loss.
- Anyone purchasing any products described or contained herein for an above-mentioned use shall:
 - ① Accept full responsibility and indemnify and defend SANYO ELECTRIC CO., LTD., its affiliates, subsidiaries and distributors and all their officers and employees, jointly and severally, against any and all claims and litigation and all damages, cost and expenses associated with such use;
 - ② Not impose any responsibility for any fault or negligence which may be cited in any such claim or litigation on SANYO ELECTRIC CO., LTD., its affiliates, subsidiaries and distributors or any of their officers and employees jointly or severally.
- Information (including circuit diagrams and circuit parameters) herein is for example only; it is not guaranteed for volume production. SANYO believes information herein is accurate and reliable, but no guarantees are made or implied regarding its use or any infringements of intellectual property rights or other rights of third parties.